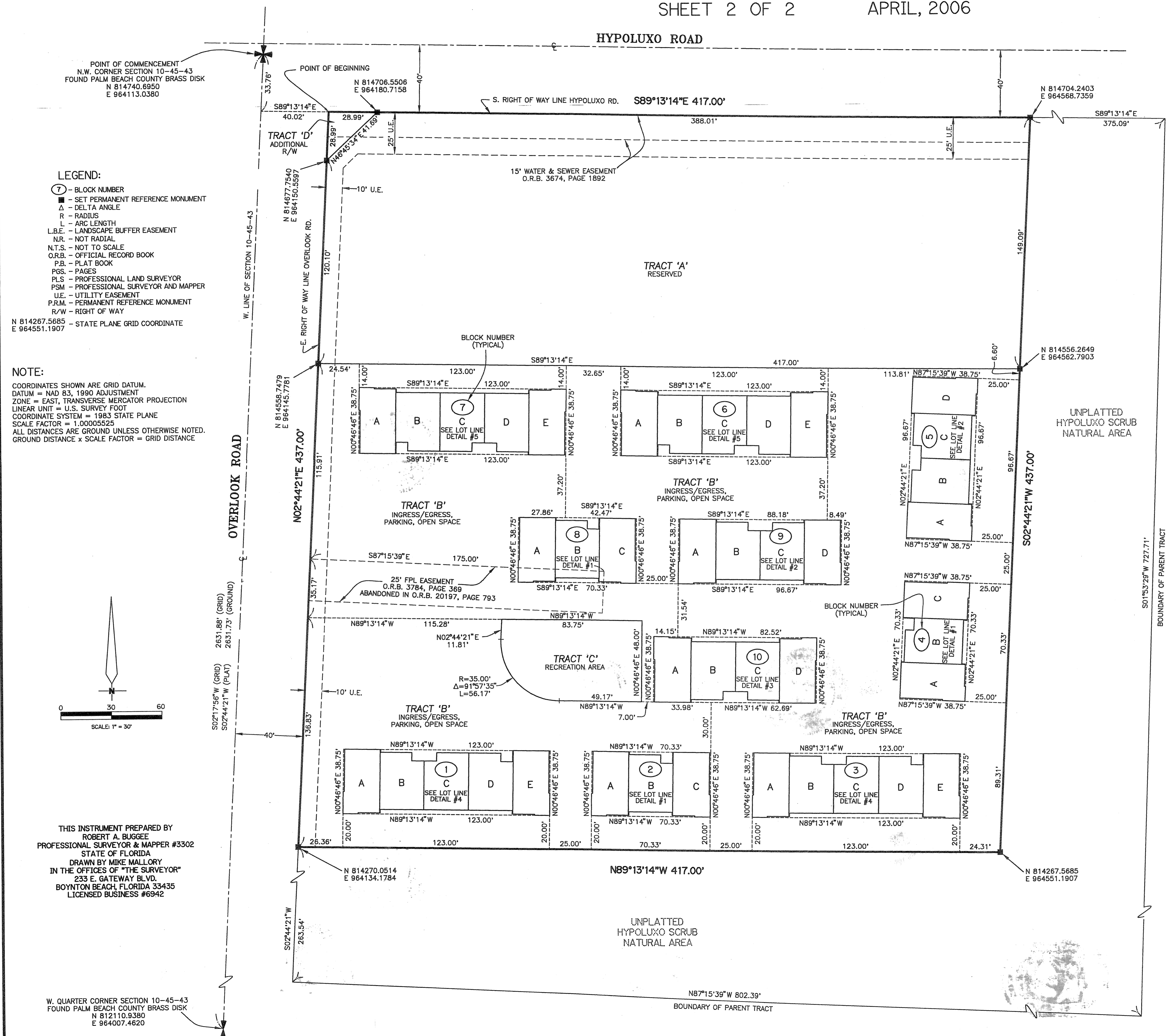


PORTER PLACE

A PARCEL OF LAND LYING IN THE NORTHWEST QUARTER OF SECTION 10, TOWNSHIP 45 SOUTH, RANGE 43 EAST, TOWN OF HYPOLUXO, PALM BEACH COUNTY, FLORIDA.

SHEET 2 OF 2 APRIL, 2006

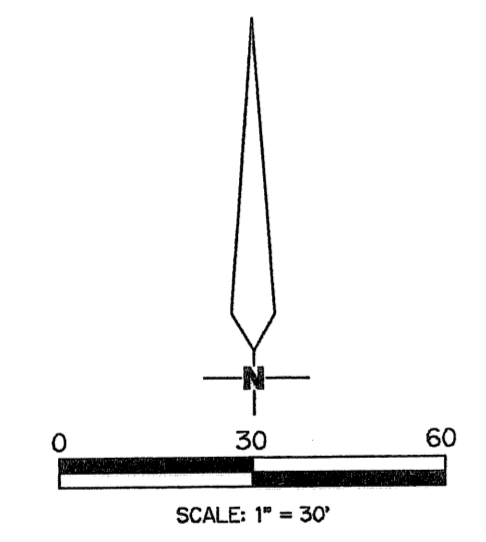
196



POINT OF COMMENCEMENT
N.W. CORNER SECTION 10-45-43
FOUND PALM BEACH COUNTY BRASS DISK
N 814740.6950
E 964113.0380

- LEGEND:**
- ⑦ - BLOCK NUMBER
 - - SET PERMANENT REFERENCE MONUMENT
 - △ - DELTA ANGLE
 - R - RADIUS
 - L - ARC LENGTH
 - L.B.E. - LANDSCAPE BUFFER EASEMENT
 - N.R. - NOT RADIAL
 - N.T.S. - NOT TO SCALE
 - O.R.B. - OFFICIAL RECORD BOOK
 - P.B. - PLAT BOOK
 - P.S. - PAGES
 - PLS - PROFESSIONAL LAND SURVEYOR
 - PSM - PROFESSIONAL SURVEYOR AND MAPPER
 - U.E. - UTILITY EASEMENT
 - P.R.M. - PERMANENT REFERENCE MONUMENT
 - R/W - RIGHT OF WAY
 - N 814267.5685 - STATE PLANE GRID COORDINATE
 - E 964551.1907

NOTE:
COORDINATES SHOWN ARE GRID DATUM.
DATUM = NAD 83, 1990 ADJUSTMENT
ZONE = EAST, TRANSVERSE MERCATOR PROJECTION
LINEAR UNIT = U.S. SURVEY FOOT
COORDINATE SYSTEM = 1983 STATE PLANE
SCALE FACTOR = 1.00005525
ALL DISTANCES ARE GROUND UNLESS OTHERWISE NOTED.
GROUND DISTANCE x SCALE FACTOR = GRID DISTANCE



THIS INSTRUMENT PREPARED BY
ROBERT A. BUGGEE
PROFESSIONAL SURVEYOR & MAPPER #3302
STATE OF FLORIDA
DRAWN BY MIKE MALLORY
IN THE OFFICES OF "THE SURVEYOR"
233 E. GATEWAY BLVD.
BOYNTON BEACH, FLORIDA 33435
LICENSED BUSINESS #6942

W. QUARTER CORNER SECTION 10-45-43
FOUND PALM BEACH COUNTY BRASS DISK
N 812110.9380
E 964007.4620

